

SUSCOM

CASTORS



SUSCOM | ABOUT US

At Suscom we focus and strive to meet our client's demands, for this reason, our in-house facilities allow us to be flexible and give us greater control over quality.

We believe that design and innovation is the key to our success. Our new production facilities is the first of its kind, with the option of automated castor fitting allowing us to tailor each product to suit our clients requirements.

As a company focused on lowering our environmental impact, it is important that our products also incorporate and reflect this ethos. With all of this in mind we have modified and updated many products to make them 100% recyclable.

CASTORS | BROCHURE KEY

FUNCTION

- F** Free Wheel
- B** Brake Loaded
- U** Brake Unloaded
- BU** Brake Load + Unloaded

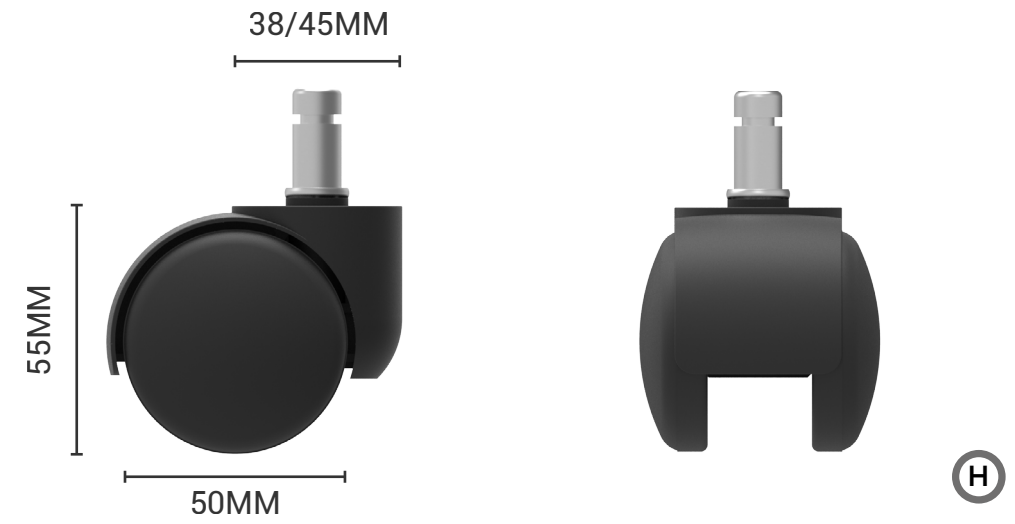
TREAD TYPE

- H** Hard Wheel
- S** Soft Wheel
- ⚡** Anti Static



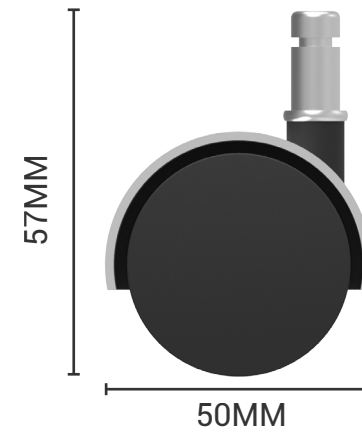


PRODUCT SPEC



PART NUMBER	FUNCTION	PIN DIMENSION	WEIGHT TESTED	TREAD TYPE	TURRET SIZE
CAS-KJ.38.50	F	11x22	35Kg	H	38MM
CAS-KJ.38.50.HD	F	11x22	48 Kg	H	38MM
CAS-KJ.45.50	F	11x22	35 Kg	H	45MM
CAS-KJ.38.50PU	F	11x22	35 Kg	S	38MM
CAS-KJ.38.50BL	B	11x22	35 Kg	H	38MM
CAS-KJ.38.50BU	U	11x22	35 Kg	H	38MM
CAS-KJ.38.50PUBL	B	11x22	35 Kg	S	38MM
CAS-KJ.38.50PUBU	U	11x22	35 Kg	S	38MM

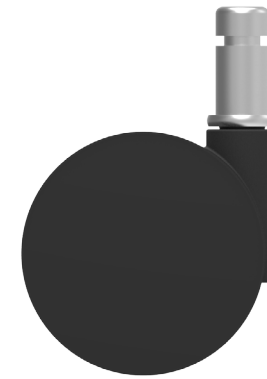
S



Ⓜ

PART NUMBER	FUNCTION	PIN DIMENSION	WEIGHT TESTED	TREAD TYPE	TURRET SIZE	HOOD TYPE
CAS-KT.50	F	11x22	35Kg	Ⓜ	13MM	
CAS-KT.50.CRM	F	11x22	35 Kg	Ⓜ	13MM	Chrome Hood
CAS-KT.50PU	F	11x22	35 Kg	Ⓝ	13MM	
CAS-KT.50BL	B	11x22	35 Kg	Ⓜ	13MM	
CAS-KT.50BU	U	11x22	35 Kg	Ⓜ	13MM	
CAS-KT.50PUBL	B	11x22	35 Kg	Ⓝ	13MM	
CAS-KT.50PUBU	U	11x22	35 Kg	Ⓝ	13MM	

Ⓝ



PART NUMBER	FUNCTION	PIN DIMENSION	WEIGHT TESTED	TREAD TYPE	TURRET SIZE	WHEEL DIAMETER
CAS-NT.50	F	11x22	35Kg	H	15MM	50MM
CAS-NT.50PU	F	11x22	35Kg	S	15MM	50MM
CAS-NT.60	F	11x22	35 Kg	H	15MM	60MM
CAS-NT.60.23	F	11x22	35 Kg	H	23MM	60MM
CAS-NT.60.23.PU	F	11x22	35 Kg	S	23MM	60MM
CAS-NT.60.38	F	11x22	35 Kg	H	38MM	60MM



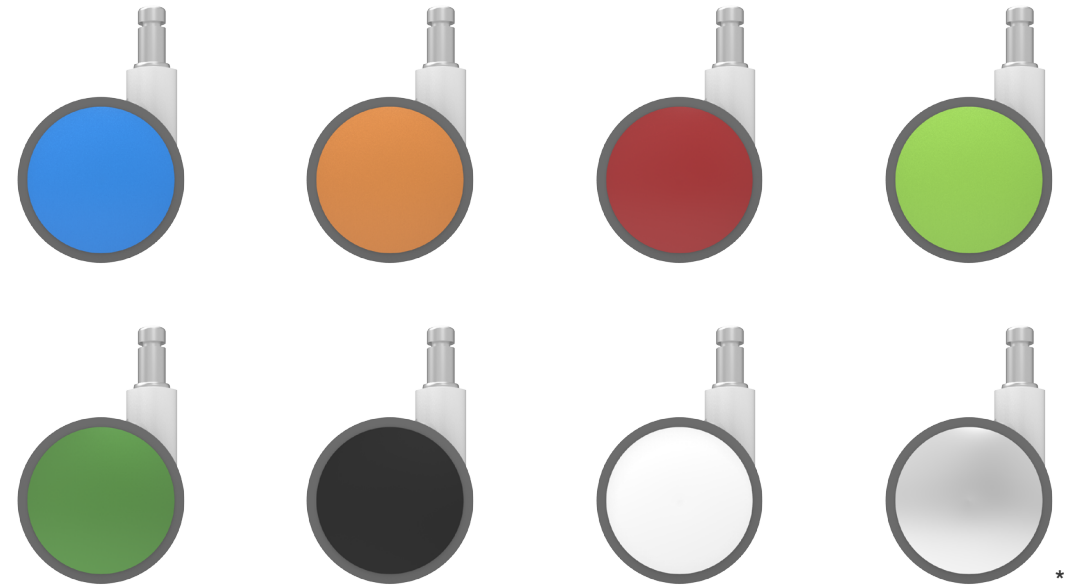
CASTORS | CT

Our high end CT castor comes in two finishes; a textured white and a textured aluminium effect finish.

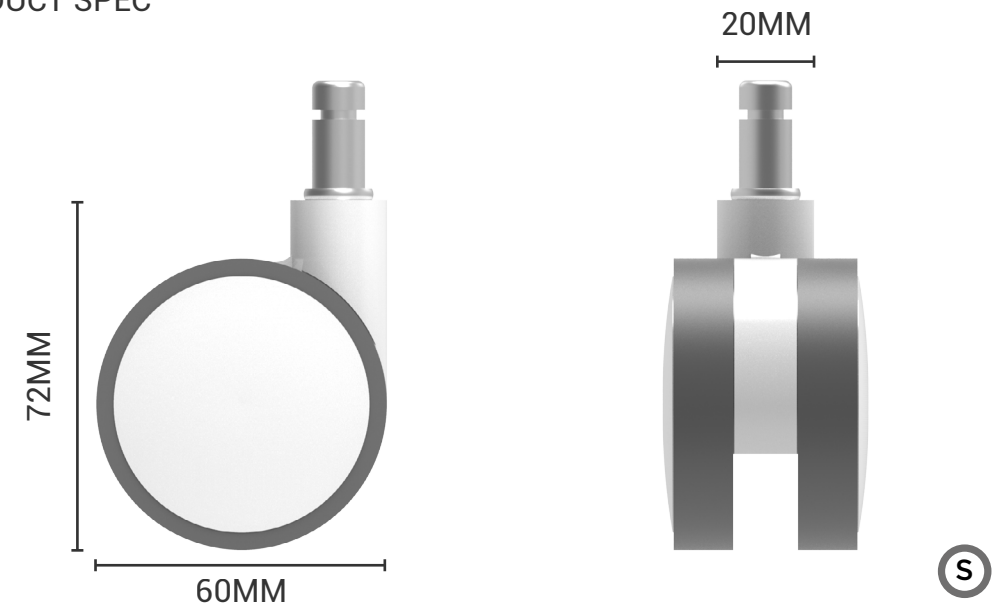
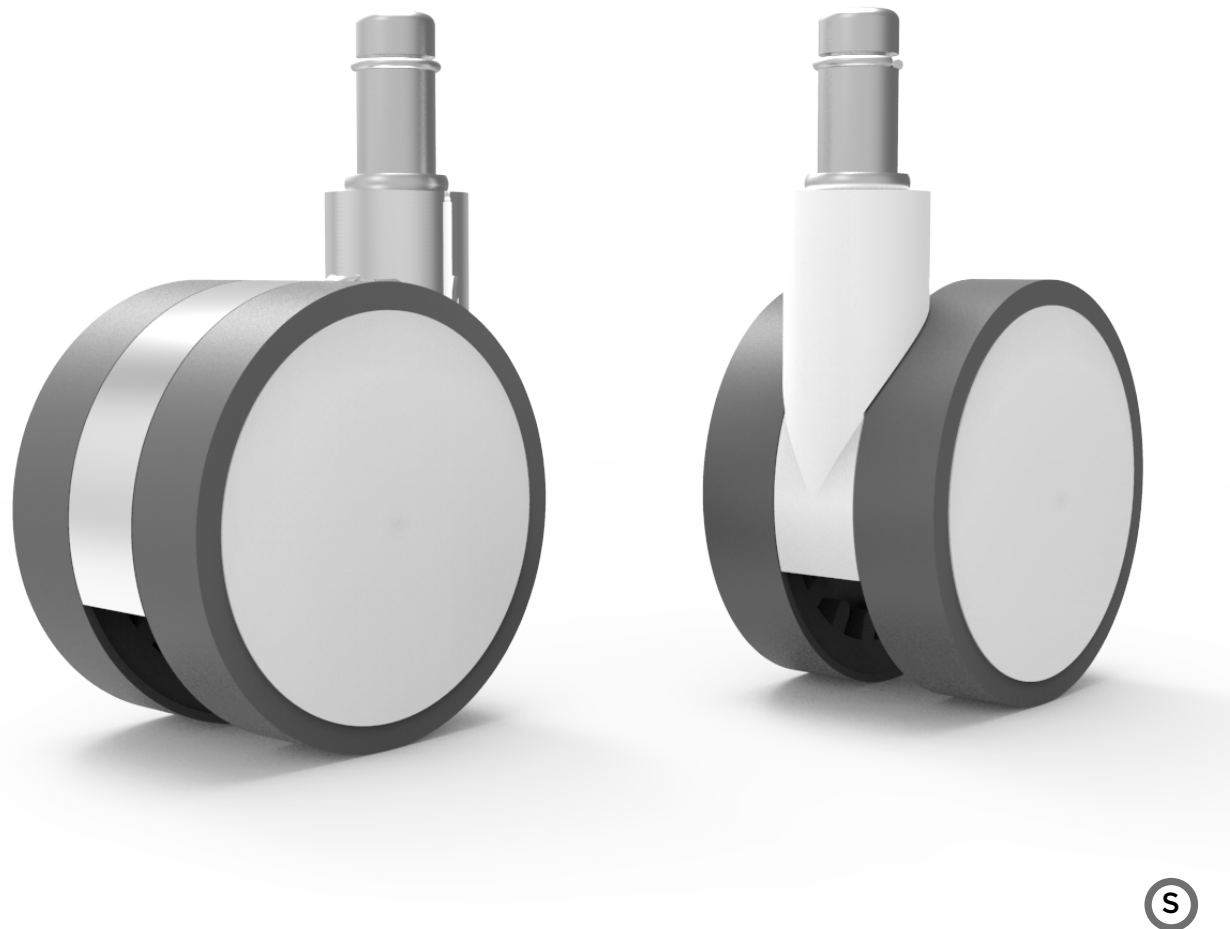
It also comes in eight different colour combinations, our transparent finish comes in blue, orange, red, green and yellow. In addition we offer a solid black, white and chrome effect.

The CT castor can be configured with alternative pins to suit. To see our full range that is available, please get in touch with a member of our team.

COLOURS



PRODUCT SPEC



PART NUMBER	FUNCTION	PIN DIMENSION	WEIGHT TESTED	TREAD TYPE	TURRET SIZE
CAS-CT.CRM *	F	11x22	35Kg	S	20MM

CASTORS | FROG

The FROG castor is one of the most versatile castors we offer, available in a hard and soft wheel finish's, each with free wheel or brake loaded/unloaded options.

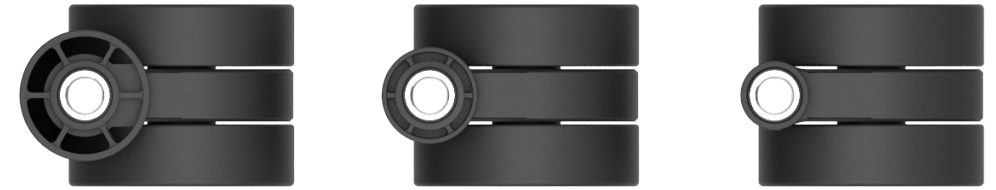
Additionally the FROG can be used with 3 different turret sleeves. These Range from a 20mm (standard) or 28mm and 38mm at request.

The frog castor can be configured in multiple arrangements to suit most base requirements. For more information on this please contact a member of staff.



PRODUCT SPEC

Top



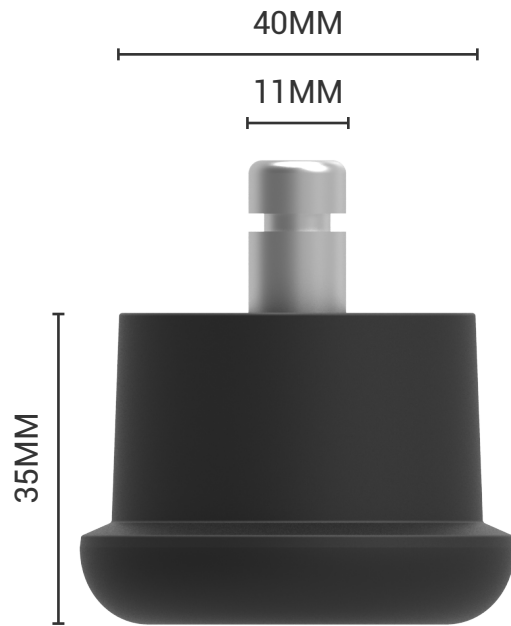
Side



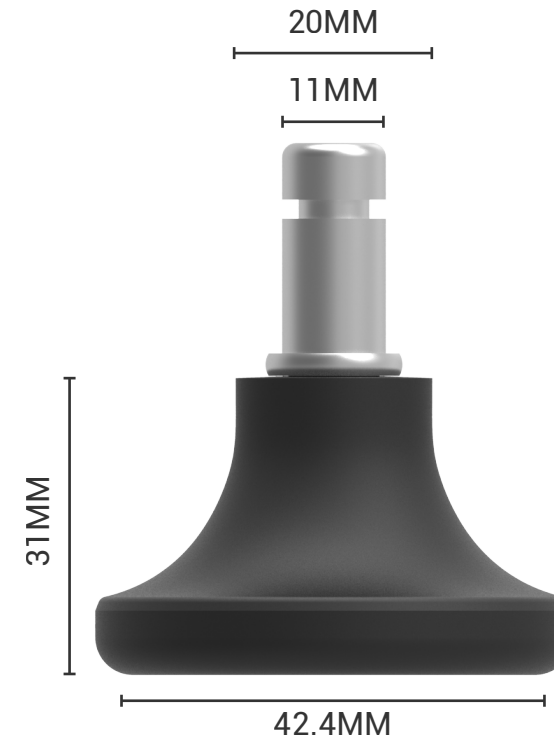
PART NUMBER	FUNCTION	PIN DIMENSION	WEIGHT TESTED	TREAD TYPE	TURRET SIZE
CAS-FROG.C.HW22	F	11x22	35Kg	H	20MM
CAS-FROG.C.SW22	F	11x22	35Kg	S	20MM
CAS-FROG.SB.HW22	BU	11x22	35 Kg	H	20MM
CAS-FROG.SB.SW22	BU	11x22	35 Kg	S	20MM



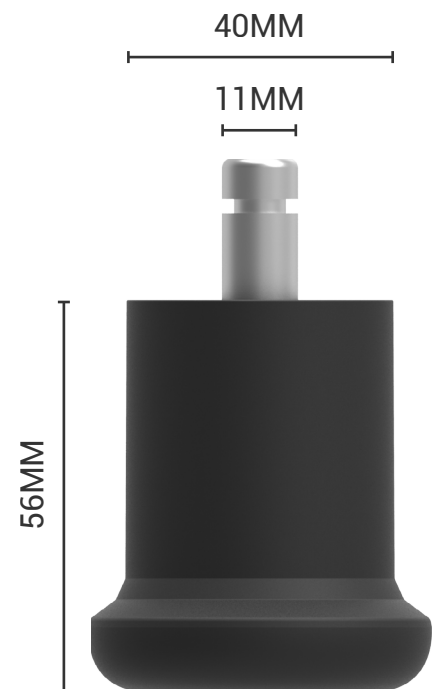
GLIDES | GLI



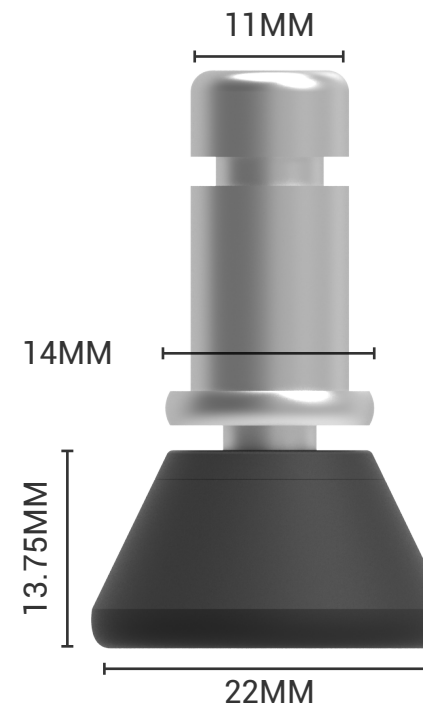
GLI-ZZ.650R
Low glide for standard chair bases



GLI-ZZ.G0R
For slim line base designs



GLI-ZZ.655R
High glide for standard chair bases



GLI-ZZ.25.TILT
Special tilting glide
for slim base designs

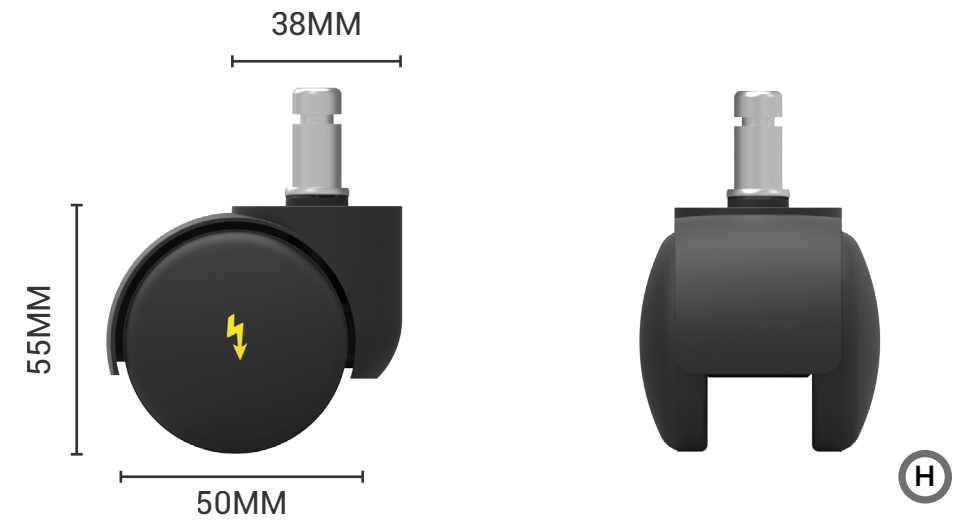
CASTORS | ESD

Our ESD castor (electro static discharge) is an upgraded version of our KJ castor with all of the same dimensions and appearance but with the added bonus of an anti-static feature.

Our ESD castor provides solutions for situations such as clean rooms and environments with high tech systems where sensitive electrical measuring equipment and machinery are used.



PRODUCT SPEC



PART NUMBER	FUNCTION	PIN DIMENSION	WEIGHT TESTED	TREAD TYPE	TURRET SIZE	CASTOR TYPE
CAS-ESD.38.50	F	11x22	35Kg	H	38MM	
CAS-ESD.38.50.PU	F	11x22	35Kg	S	38MM	



Suscom Industries Ltd.

Unit 8 Leopold Street | Lamberhead Ind. Estate
Pemberton | Wigan | WN5 8DH | United Kingdom

Web | www.suscom-ind.co.uk

Telephone | +44 (0)1942 221133

Email | sales@suscom-ind.co.uk

