

SUSCOM

CLEAN GAS CYLINDERS



CLEAN CYLINDER

Features

- This eco-friendly cylinder features to smoothly have vertical and rotational movement with free grease on the outer pipe
- Color painting is optionally available on outer pipe, including conventional hard chrome plated or heat treated surface finish
- Taper to be extended up to the top bushing of the column such as high-cone cylinder

Application

- Suitable for chairs in stylish design with unique color
- Executive office chair or luxury chair
- Home chair for children
- Chairs in the areas with extreme temp-change
- Office chair requiring eco-friendly design

Test spec.

- International test standards required
- Any customer's test requirement

Available sizes

MODEL NO.	EXT	STROKE	V	X	Y
KCR4084-50□□□	298	80	172	58	60
KCR4096-50□□□	346	92	195	58	17
KCR4104-50□□□	354	100	195	58	20
KCR4116-50□□□	366	112	205	58	57
KCR4129-50□□□	397	125	219	58	65
KCR4140-50□□□	412	136	235	58	57

- Dimensions and F1 force are changeable to comply with buyer's requests
- F1 : 200N ~ 400N



NON-ROTATIONAL CLEAN CYLINDER

Features

- This eco-friendly cylinder features to smoothly have vertical movement with free grease on the outer pipe
- Color painting is optionally available on outer pipe, including conventional hard chrome plated or heat treated surface finish
- Not rotating along inside sleeve with groove but operating vertically

Application

- Suitable for eco-friendly draft chairs with unique color
- Home chair for children
- Chairs in the areas with extreme temp-change

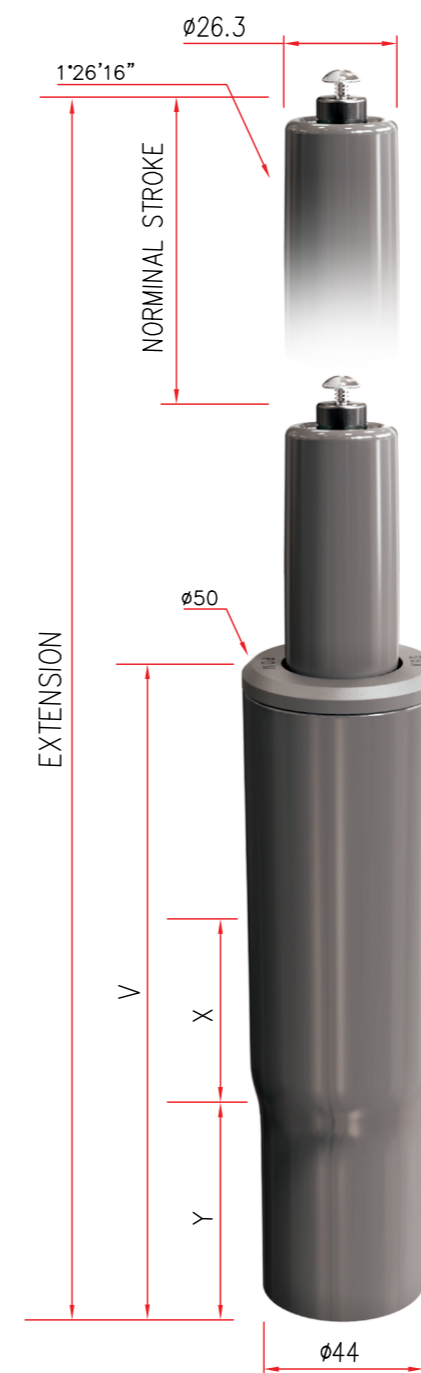
Test spec.

- International test standards required
- Any customer's test requirement

Available sizes

MODEL NO.	EXT	ST	V	X	Y
KCR4104-50□□□-NON	354	100	195	58	20
KCR4116-50□□□-NON	366	112	205	58	57
KCR4129-50□□□-NON	397	125	219	58	65

- Dimensions and F1 force are changeable to comply with buyer's requests
- F1 : 200N ~ 400N



AUTO-LIFT CLEAN CYLINDER

Features

- This eco-friendly cylinder features to smoothly have vertical and rotational movement with free grease on the outer pipe
- Color painting is optionally available on outer pipe, including conventional hard chrome plated or heat treated surface finish
- Height adjustable when seated and returning the seat automatically to the original position when vacated

Application

- Suitable for chairs in stylish design with unique color requiring a line up
- Conference chair requiring eco-friendly design

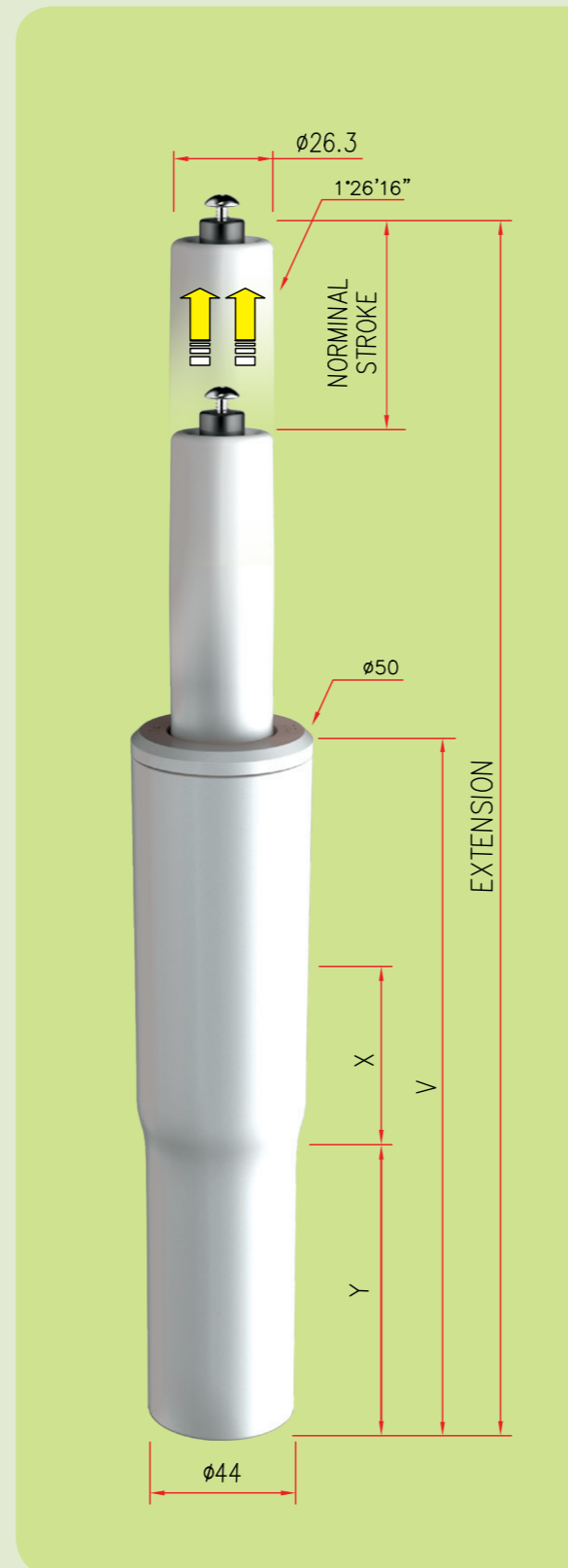
Test spec.

- International test standards required
- Any customer's test requirement

Available sizes

MODEL NO.	EXT	ST	V	X	Y
KCR4073-50□□□-AU	335	69	213	58	52
KCR4129-50□□□-AU	397	125	219	58	52

- Dimensions and F1 force are changeable to comply with buyer's requests
- F1 : 200N ~ 400N



CABLE CLEAN CYLINDER

Features

- This eco-friendly cylinder features to smoothly have vertical and rotational movement with free grease on the outer pipe
- Used for operation up and down by a cable module enabling actuation of the cylinder
- Taper to be extended up to the top bushing of the column such as high-cone cylinder

Application

- Suitable for eco-friendly chairs in stylish design with unique color
- Executive office chair or luxury chair
- Home chair for children
- Chairs in the areas with extreme temp-change

Test spec.

- International test standards required
- Any customer's test requirement

Available sizes

MODEL NO.	EXT	ST	V	X	Y
KCR4084-50□□□-CA	298	80	172	58	60
KCR4096-50□□□-CA	346	92	195	58	17
KCR4116-50□□□-CA	366	112	205	58	57
KCR4129-50□□□-CA	397	125	219	58	65
KCR4140-50□□□-CA	412	136	235	58	57

- Dimensions and F1 force are changeable to comply with buyer's requests
- F1 : 200N ~ 400N



SWIVEL CLEAN CYLINDER

Features

- This eco-friendly cylinder features to smoothly have rotational movement with free grease on the outer pipe
- Color painting is optionally available on outer pipe, including conventional hard chrome plated or heat treated surface finish
- Soft cushion provided all the time at seated
- Swivel clean cylinder is not a height adjustable cylinder but swivel 360 degree in both direction

Application

- Suitable for chairs in stylish design with unique color
- Chairs in the areas with extreme temp-change
- Comfortable chair for work lounge

Test spec.

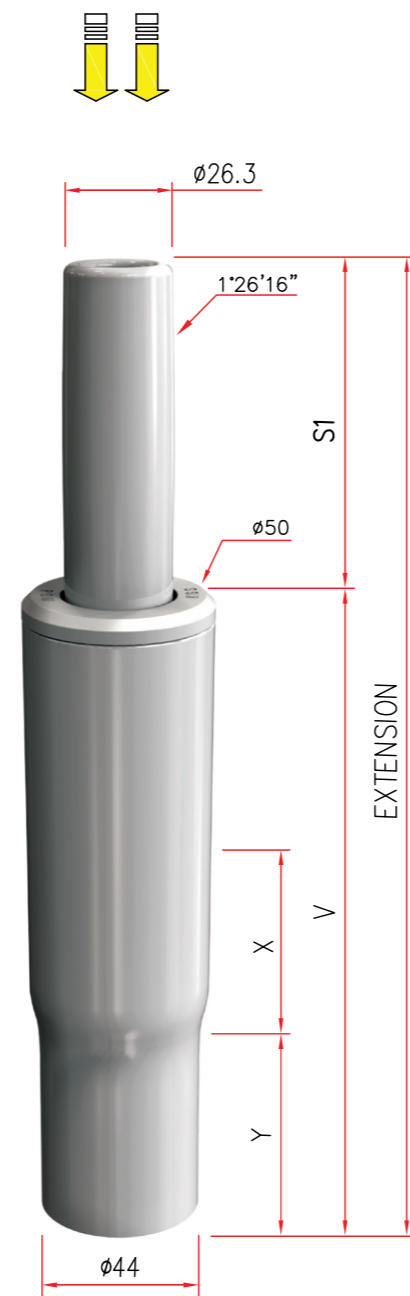
- International test standards required
- Any customer's test requirement

Available sizes

MODEL NO.	EXT	S1	V	X	Y
KCR4047-50□□1-SW	255	65	190	58	67
KCR4047-50□□2-SW	265	65	200	58	37
KCR4047-50□□3-SW	284	65	219	58	65
KCR4047-50□□4-SW	300	65	235	58	47

- Dimensions and F1 force are changeable to comply with buyer's requests
- F1 : 200N ~ 400N

SOFT CUSHION



SOFT LANDING CLEAN CYLINDER

Features

- This eco-friendly cylinder features to smoothly have vertical and rotational movement with free grease on the outer pipe
- Color painting is optionally available on the outer pipe, including conventional hard chrome plated or heat treated surface finish
- Very soft landing by special urethane foam at the lowest position
- Comfortable cushion work provided instead of conventional rubber bumper

Application

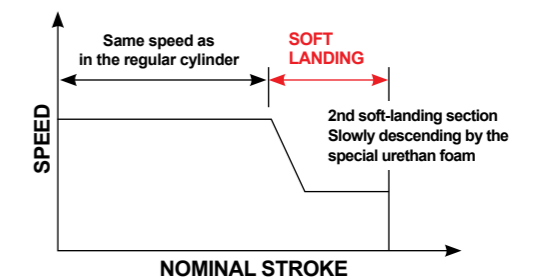
- Office chair and medical chair
- Sensitive chair at any shock impacts

Test spec.

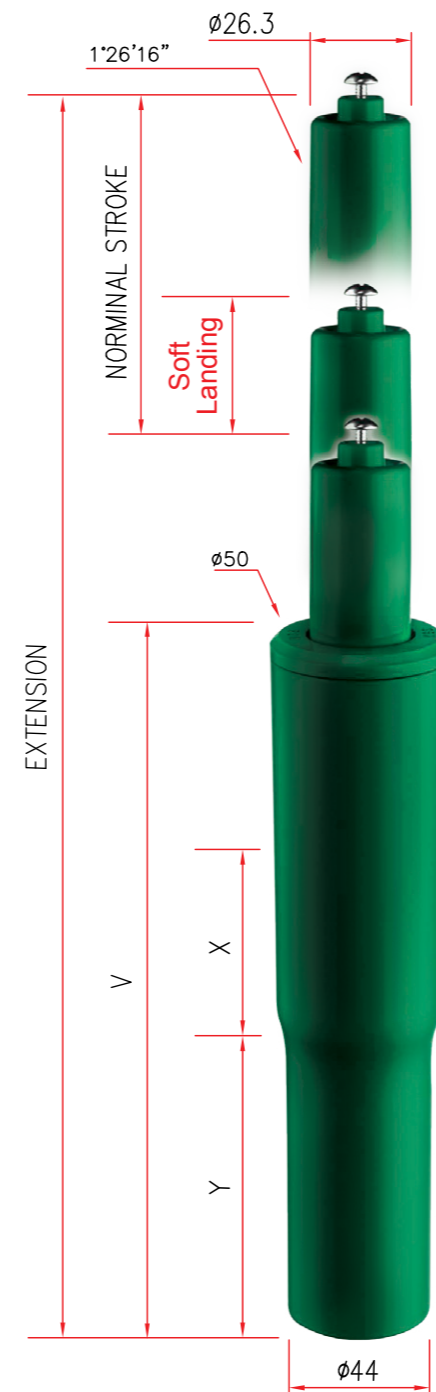
- International test standards required
- Any customer's test requirement

Available sizes

SOFT LANDING FORCE DIAGRAM



- Applicable for all the existing cylinders with the same sizes but soft-landing provided at the lowest position
- Dimensions and F1 force are changeable to comply with buyer's request
- F1 force : 200N ~ 400N





Suscom Industries Ltd.

Unit 8 Leopold Street | Lamberhead Ind. Estate
Pemberton | Wigan | WN5 8DH | United Kingdom

Web | www.suscom-ind.co.uk

Telephone | +44 (0)1942 221133

Email | sales@suscom-ind.co.uk

